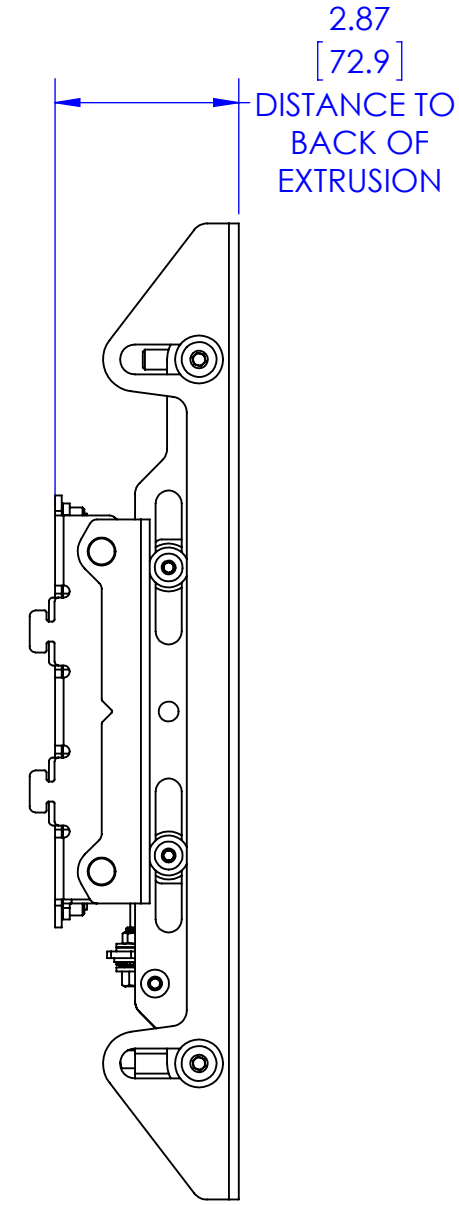
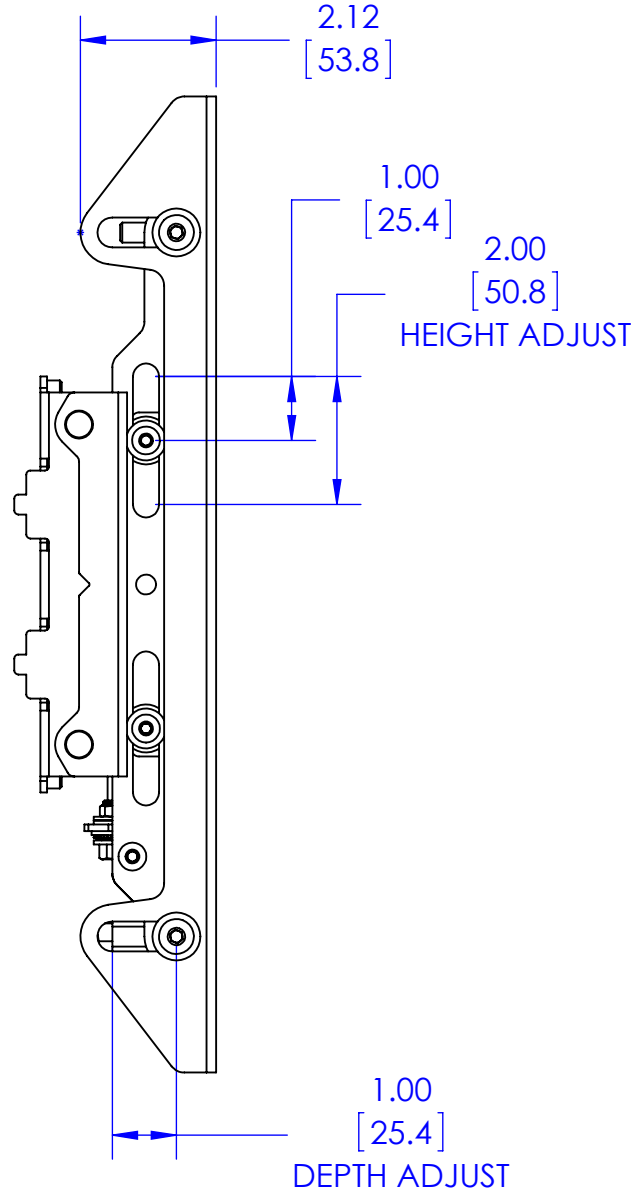
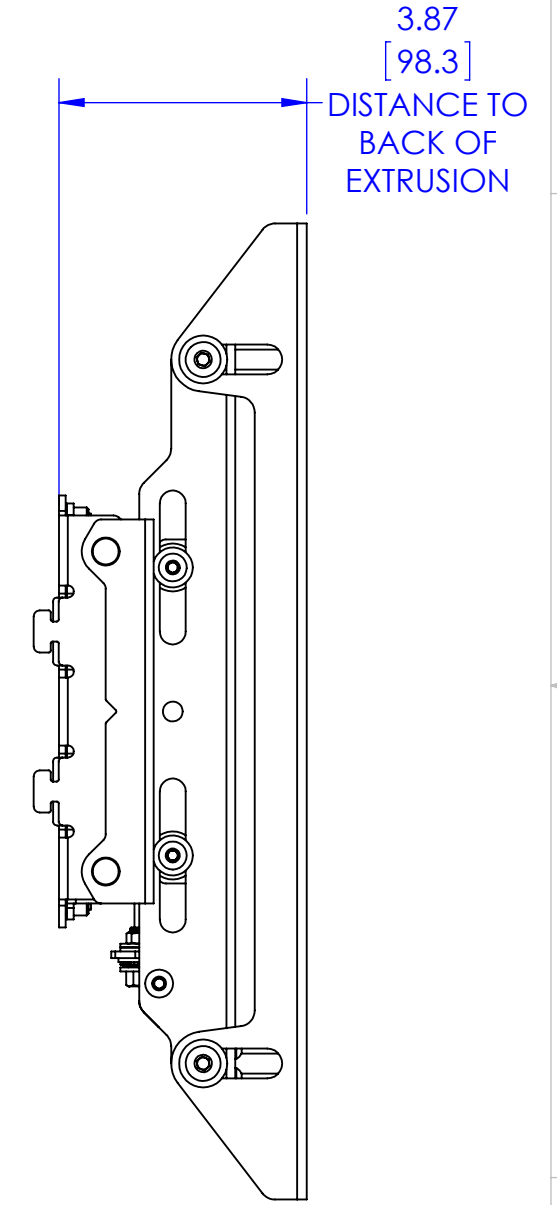


SHOWN WITH HEIGHT ADJUST AT CENTER



MINIMUM DEPTH



MAXIMUM DEPTH

THE INFORMATION AND DESIGNS CONTAINED IN THIS DRAWING ARE CONFIDENTIAL AND THE PROPRIETARY PROPERTY OF MILESTONE AV TECHNOLOGIES NEITHER THIS DESIGN NOR ANY INFORMATION CONTAINED IN THIS DRAWING MAY BE REPRODUCED OR DISCLOSED TO OTHERS WITHOUT THE EXPRESS WRITTEN CONSENT OF MILESTONE AV TECHNOLOGIES.

CAD GENERATED DRAWING, DO NOT MANUALLY UPDATE.			6436 CITY WEST PKWY EDEN PRAIRIE MN, 55344 PHONE: 866-977-3901 FAX: 877-894-6918
DRAWN BY	JAB	10/23/2014	
ENG APPROVAL			DESCRIPTION <b>MODULAR MENU-BOARD WALL ATTACHMENT HEIGHT AND DEPTH ADJUSTABLE</b>
MFG APPROVAL			
QA APPROVAL			
SHEET 1 OF 1			MODEL NO. FMSWM
SCALE	1:3	SIZE	DWG. NO. TECH-000765
			REV. 00